

aquatica®

Function, Form & Fashion



Lorena-W-108 & Lorena-W-110

Wall Mounted Bath Fillers

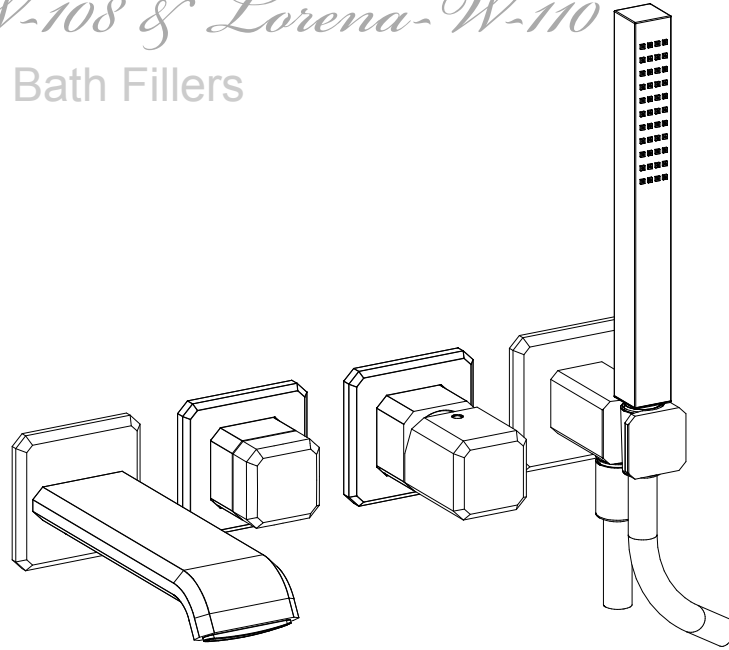
Installation & Care Manual

USA / Canada

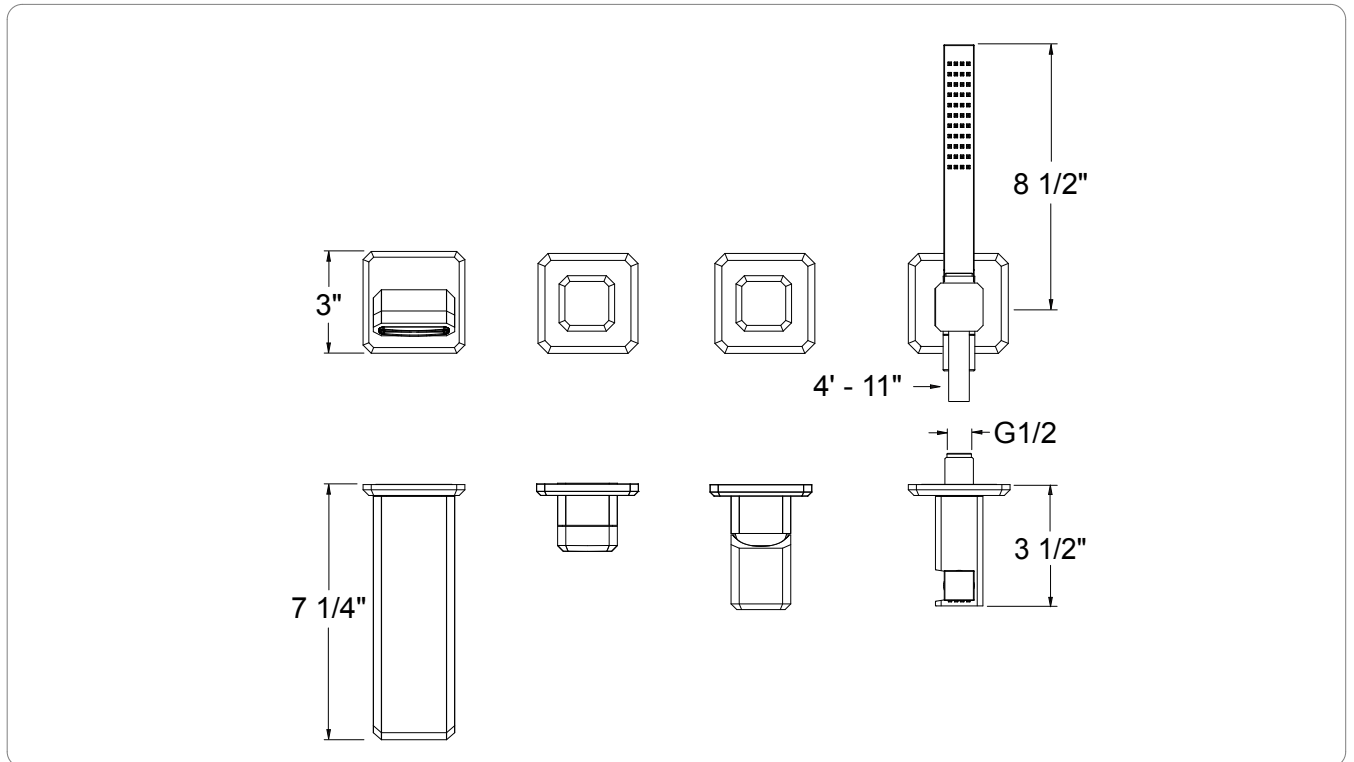
Lorena-W-108 & Lorena-W-110

Wall Mounted Bath Fillers

PARTS LIST



 MEASUREMENTS: inches

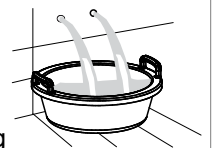


SPECIFICATIONS

Recommended operational pressure	1-5 bar
Maximum test pressure	16 bar
Maximum hot water temperature	70 °C
Recommended temperature	50-60 °C
Pressure difference between hot and cold water	max. 1,5 bar

IMPORTANT NOTE

- Installation to be performed by qualified personnel
- Before connecting to mains, bleed the pipes to avoid damage.



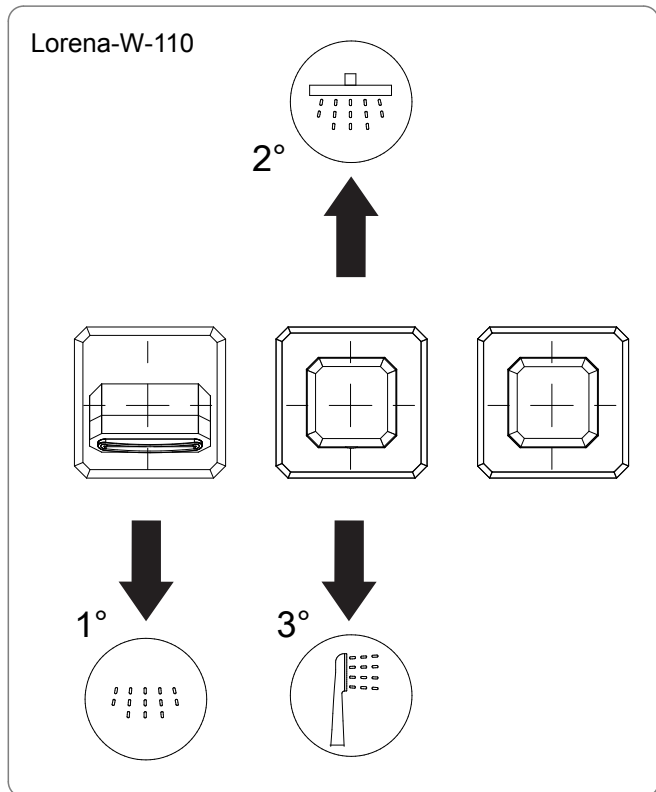
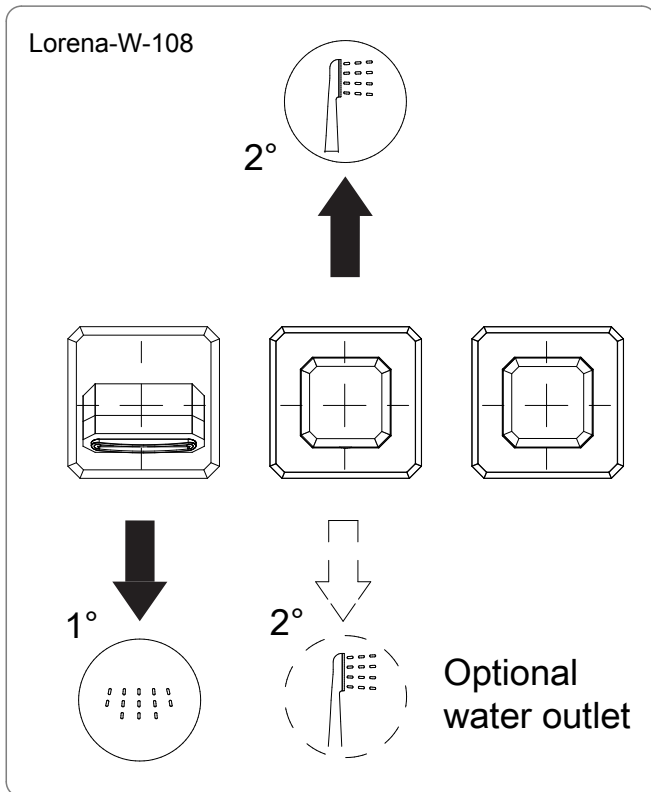
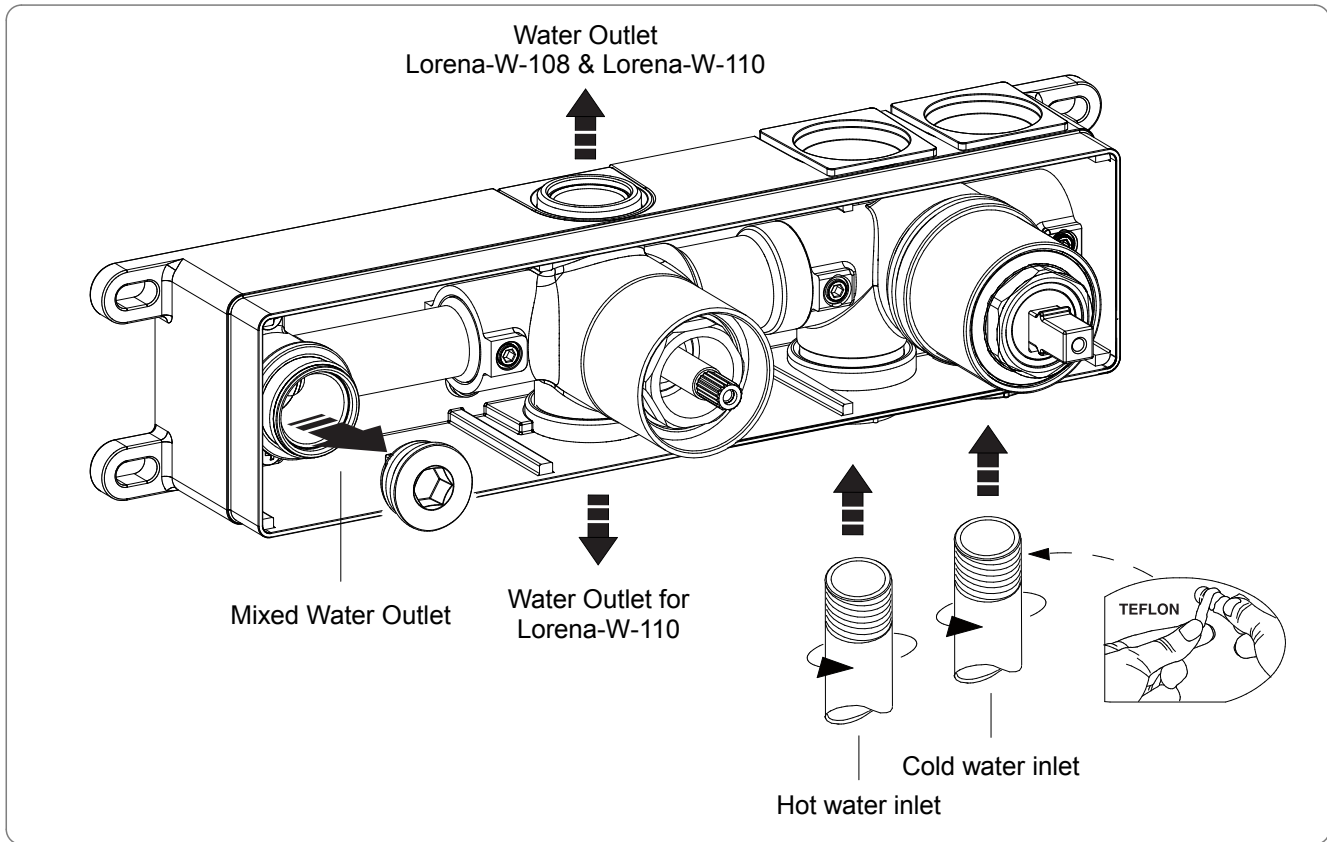
Lorena-W-108 & Lorena-W-110

aquatica®

Wall Mounted Bath Fillers

Function, Form & Fashion

INSTALLATION

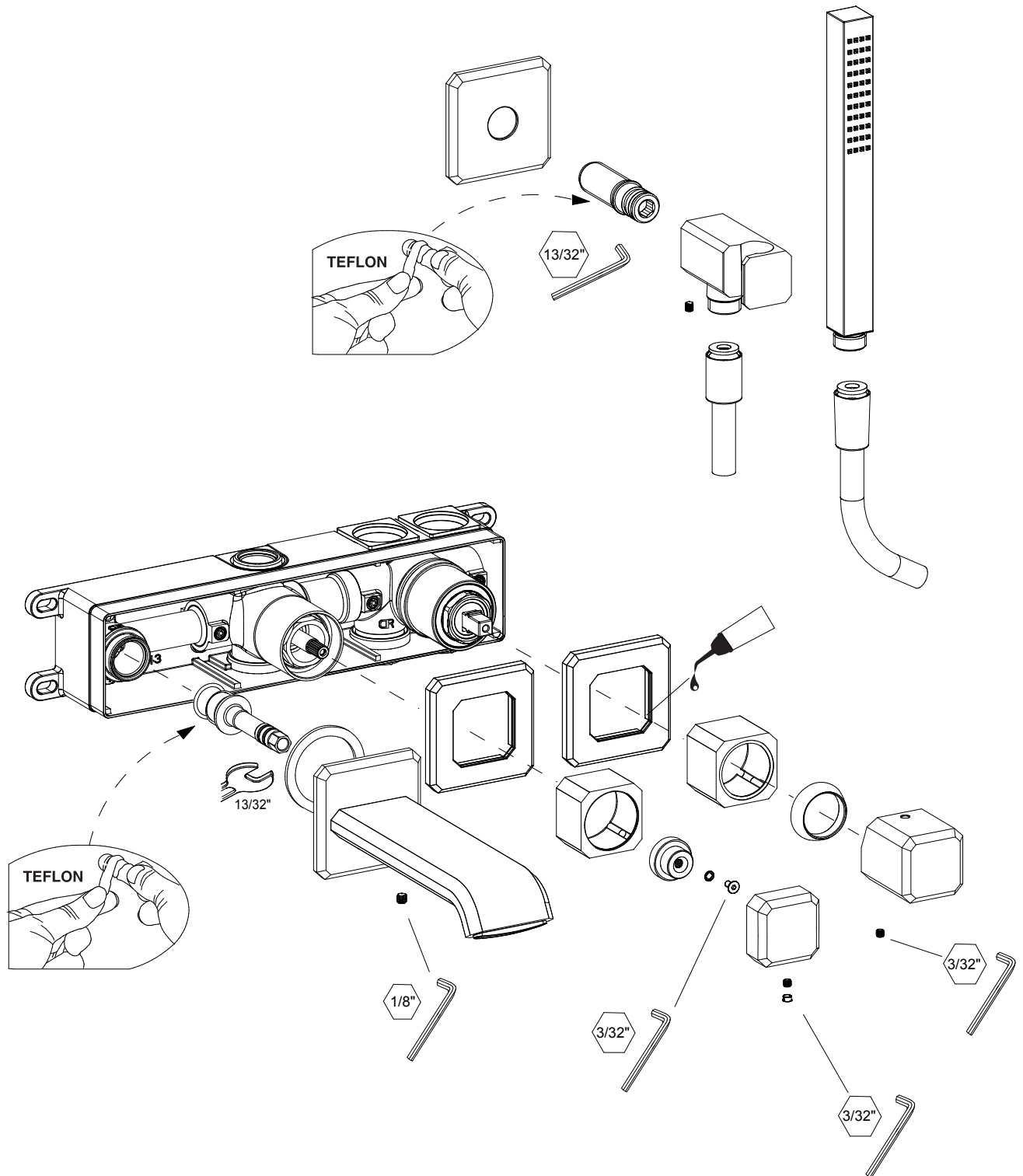


aquatica®
Function, Form & Fashion

Lorena-W-108 & Lorena-W-110

Wall Mounted Bath Fillers

INSTALLATION



aquatica®

Function, Form & Fashion

